



# Spazzola Frontale / Circular Plate Brush

QUANTITA'  
QUANTITY

## 1. RIVESTIMENTO/COVERING

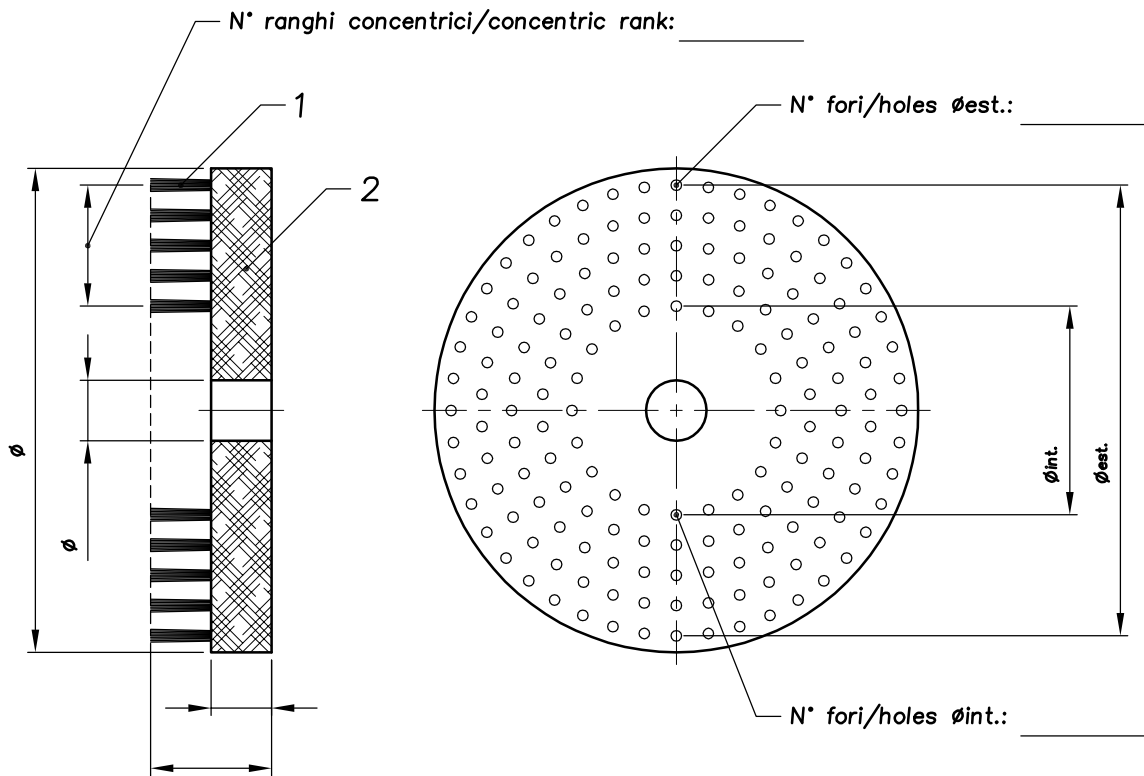
- Setola Nera / Black bristle (Extra-Hard)   
  Setola Grigia / Grey bristle (Hard)   
  Setola Bionda / Light bristle (Medium)  
 Crine / Horse Hair (Soft)   
  Tampico (fibra vegetale/vegetable fiber)   
  Nylon  $\phi =$  \_\_\_\_\_ mm  
 Polypropylene  $\phi =$  \_\_\_\_\_ mm   
  Abrasive Nylon Grana/Grit = \_\_\_\_\_  $\phi =$  \_\_\_\_\_ mm  
 Stainless Inox  $\phi =$  \_\_\_\_\_ mm   
  Ottone/Brass  $\phi =$  \_\_\_\_\_ mm

Altro/Other: \_\_\_\_\_

## 2. SUPPORTO/BASE

- Polypropylene   
  Nylon   
  P.V.C.   
  Legno / Wood

Altro/Other: \_\_\_\_\_



TIPO DI RICHIESTA/REQUEST

Ordine/Order

Preventivo/Enquiry for Quotation

Data/Date: \_\_\_\_/\_\_\_\_/\_\_\_\_

Ditta / Company: \_\_\_\_\_

Contatto/Contact: \_\_\_\_\_

Indirizzo / Address: \_\_\_\_\_

Telephone: \_\_\_\_\_

Fax: \_\_\_\_\_

@: \_\_\_\_\_

Web: \_\_\_\_\_

Note/Comment: \_\_\_\_\_